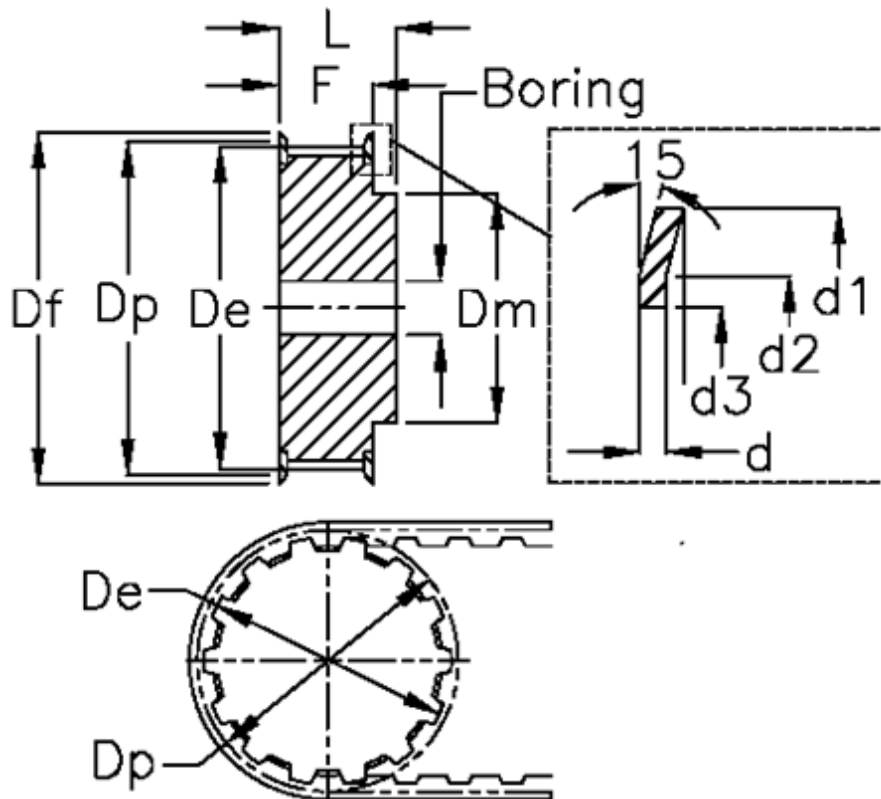


Article number: 60415447018

Description: Timing Belt Pulley 47 AT10 18/2

## Measures



Belt width = - 32 mm	$D_p$	= 57.45
$d$ = 1	$F$	= 37
$d_1$ = 60	Flange type	= F22
$d_2$ = 57	$L$	= 47
$d_3$ = 47	Pre-drilled	= 10
$D_e$ = 55.45	Tooth number	= 18
$D_f$ = 60	Type	= AT10
$D_m$ = 40	Weight	= 0.253